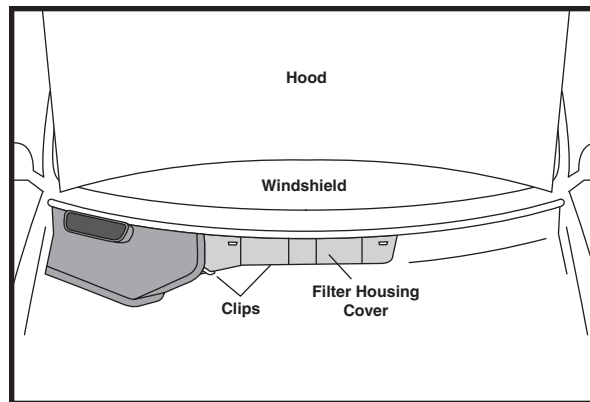


CABIN AIR FILTER

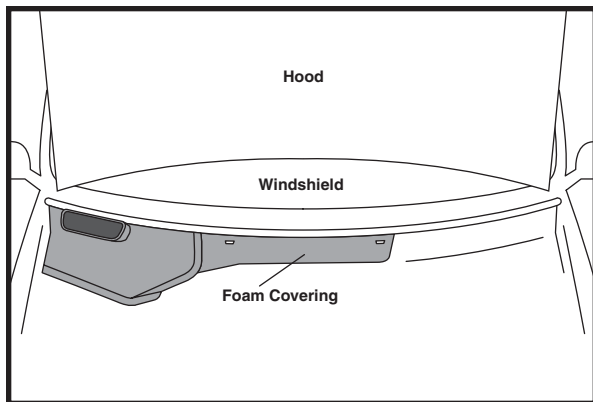
IDENTIFICATION / INSTALLATION

CHRYSLER

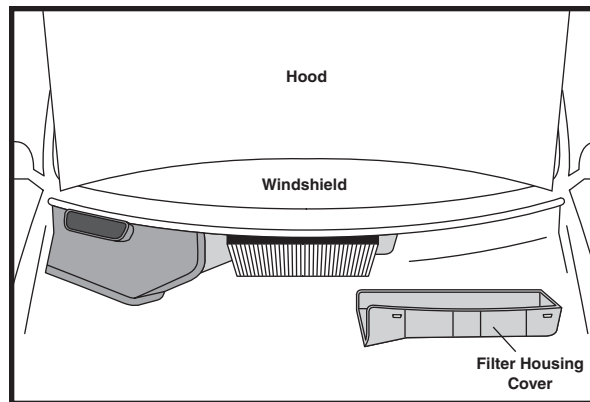
PA4409



3. Release clips in front and back of filter housing cover.
4. Slide filter housing cover to the right to remove.



1. Open hood.
2. Remove foam covering from filter housing cover.



5. Pull down filter to remove.
6. Replace filter and reassemble.

Notice: The information provided is based on the latest authoritative information available at press time. However, due to manufacturers' changes, and year and model variations, Baldwin Filters cannot be responsible for misapplications and instruction errors.

BALDWIN FILTERS® **BALDWIN**
a CLARCOR company

4400 East Highway 30 ■ P.O. Box 6010
Kearney, Nebraska 68848-6010
Phone: (308) 234-1951 ■ Toll Free: (800) 822-5394
Fax: (800) 828-4453 ■ Int'l Fax: (308) 237-9769
Internet: www.baldwinfilter.com